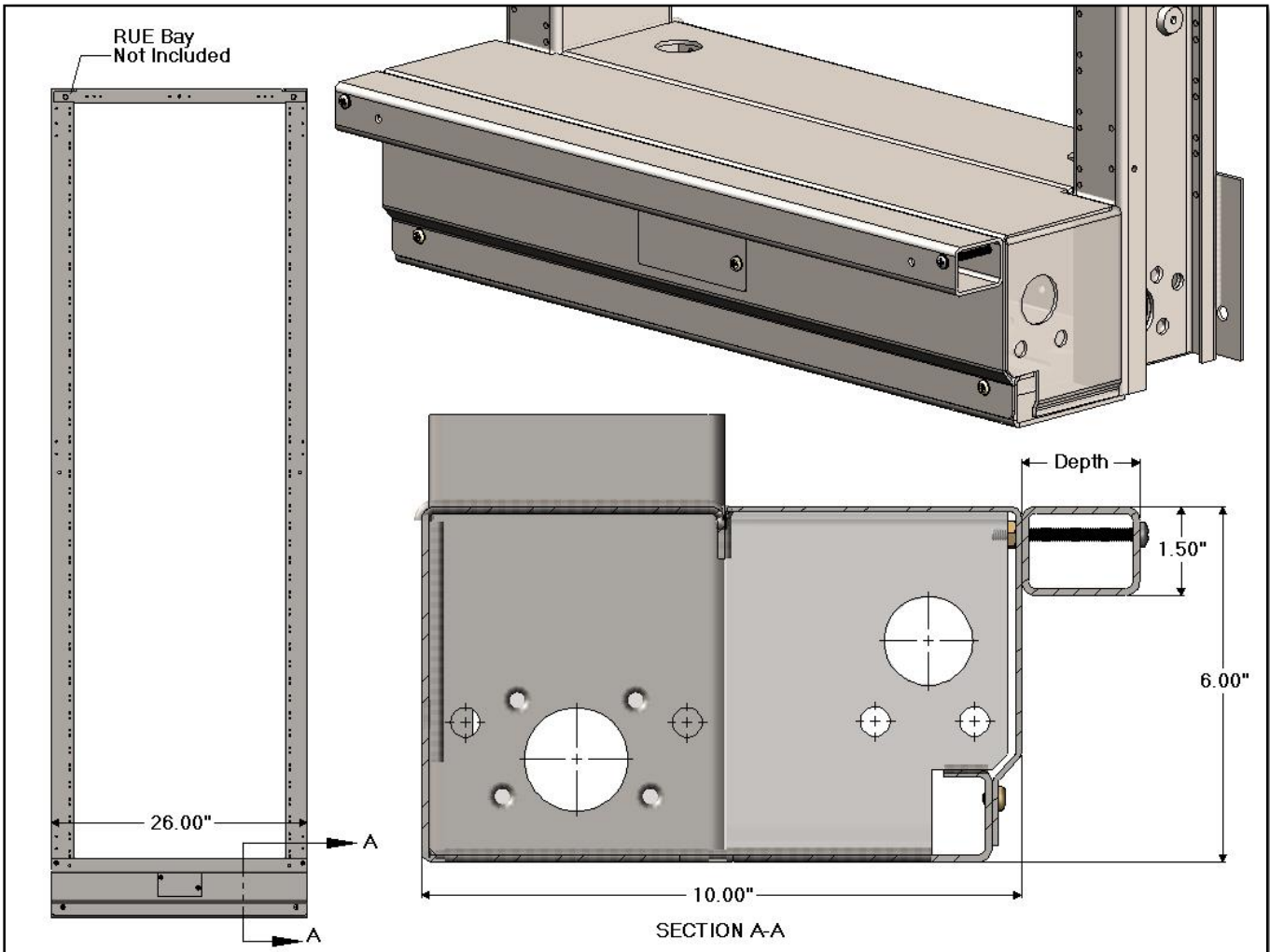


## BBR2 Series - RU/ RUE Bay Bumper Guard



### BBR2 Series - RU/ RUE Bay Bumper Guard

CSF P/N#	Depth	Description
BBR231xx	1.00"	Ru Bay Bumper Guard
BBR232xx	2.00"	Ru Bay Bumper Guard

**Notes:**

- Kit includes all mounting hardware and Ru Bay Bumper Guard.
- Other sizes and finishes available upon request.
- Finishes: See finish codes
- RUE Bay - Not Included

Specifications subject to change. Please contact CSF Customer Service for more information.